







# **REGINA** CHAIN

**PERFORMANCE IN MOTION**

**FILM GRIPPER CHAINS**

# Gripper chains for thermoforming machines.

Gripper chains are used to convey plastic film in “form, fill and seal” packaging machines.

Series	Clamp Design	Clamp Features				Base Chain Material	Corrosion Resistance	Wear Resistance
		Film Retention	Spring Force	Clamp Material	Spring Material			
TFK	 K Style Clamp	Very high	50 N	SS	SS	S + NC	Good	Excellent
						SS	Excellent	Good
TF	 Standard Clamp	High	85 N	SS	SS	S + NC	Good	Excellent
						SS	Excellent	Good
		Average	50 N			S + NC	Good	Excellent
						SS	Excellent	Good
TF Long	 Long Clamp	High	80 N	SS	S + NC	S + NC	Good	Excellent
TFO	 Horizontal Clamp	Average	60 N	SS	SS	S + NC	Good	Excellent
						SS	Excellent	Good

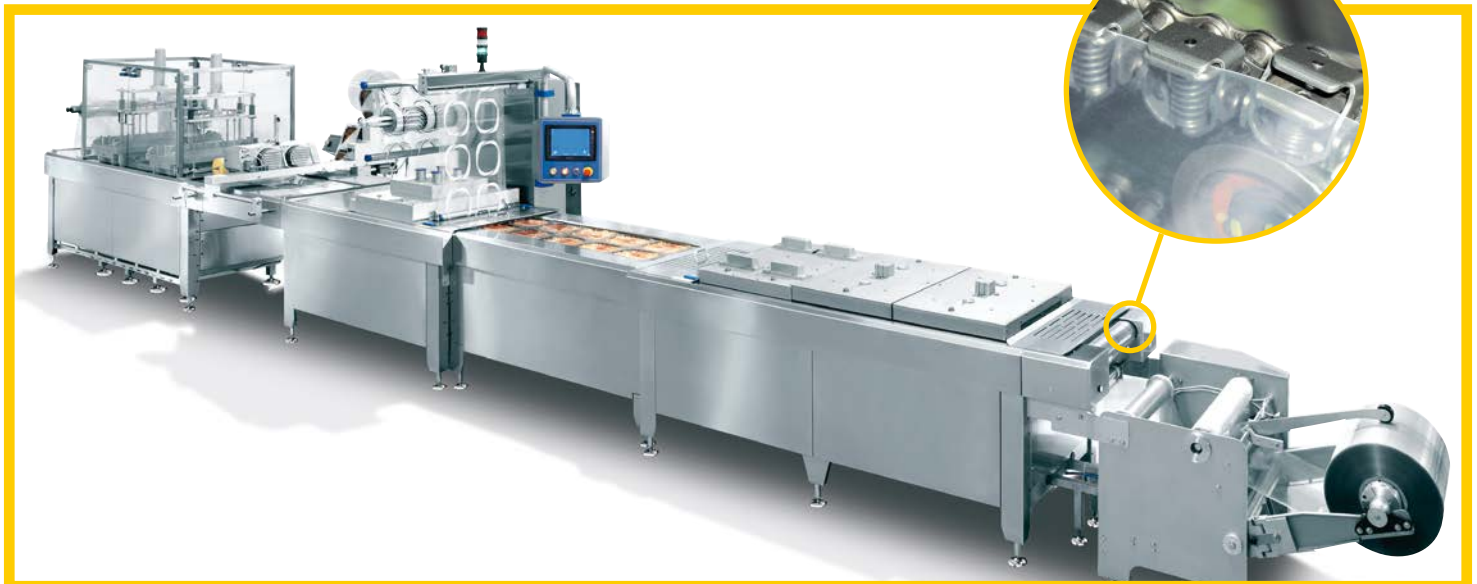
## MATERIALS

Type	Description	Features
S + NC	Carbon Steel Nickel Plated	Through hardened carbon steel and electroless nickel plating for good corrosion resistance. Excellent strength and wear resistance.
SS	Austenitic Stainless Steel	Cr-Ni austenitic stainless steel. AISI 302-304 (Wn 1.4301). Excellent corrosion resistance.

## PRODUCT FEATURES

- All chains are available in nickel plated and stainless steel construction, for outstanding corrosion resistance.
- Improved clamp design for increased film retention and smooth operation.
- Supplied in pre-stretched and matched strands for trouble free machine set-up.
- Special lubrication applied at factory, FDA H1 approved grease, for higher wear and corrosion resistance.

## APPLICATION FIELD

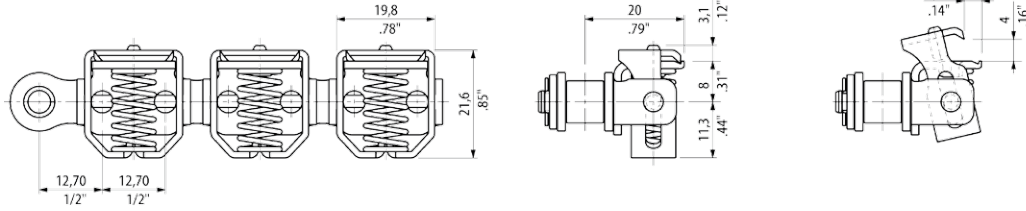


# K STYLE CLAMP "TFK Series"

The K style clamp allows a vertical movement combined with side rotation (kick-back) to ensure easy film engagement and scrap release.

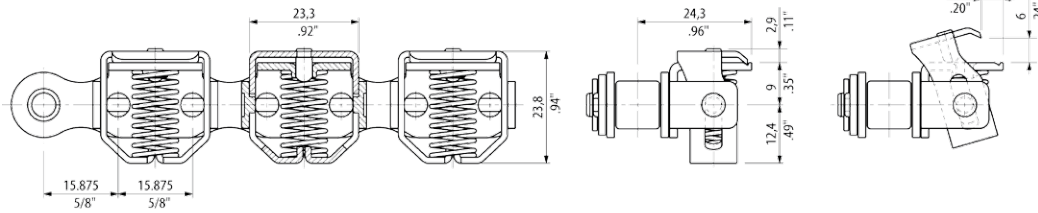
## 126TFK

ISO 08B-1 : PITCH  $\frac{1}{2}$ " - 12,70 mm



## 136TFK

ISO 10B-1 : PITCH  $\frac{5}{8}$ " - 15,875 mm



REGINA REF.	BASE CHAIN MATERIAL	CLAMP MATERIAL	SPRING MATERIAL	CHAIN PITCH P		ROLLER DIAMETER Dr		INSIDE WIDTH W		CLAMPING FORCE N
				mm	inches	mm	inches	mm	inches	
126TFK	S + NC	SS	SS	12,70	$\frac{1}{2}$	8,51	.335	7,75	.305	50
<b>NEW</b> SS126TFK	SS	SS	SS	12,70	$\frac{1}{2}$	8,51	.335	7,75	.305	50
136TFK	S + NC	SS	SS	15,875	$\frac{5}{8}$	10,16	.400	9,65	.380	55
SS136TFK	SS	SS	SS	15,875	$\frac{5}{8}$	10,16	.400	9,65	.380	55

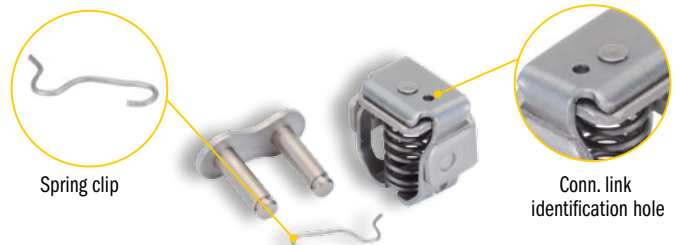
## FEATURES

**ONLY FROM REGINA  
AVAILABILITY IN FULL  
STAINLESS STEEL CONSTRUCTION**

**AUSTENITIC STAINLESS STEEL  
OUTSTANDING CORROSION RESISTANCE**



### STANDARD CONNECTING LINK



### ON REQUEST: REVERSED CONNECTING LINK

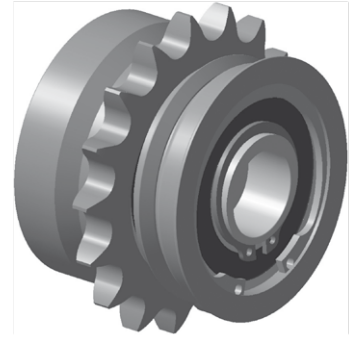
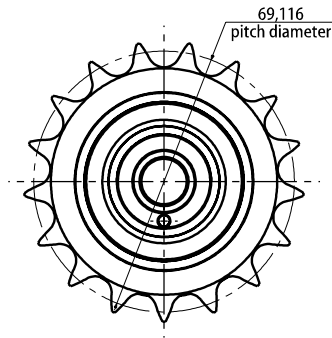
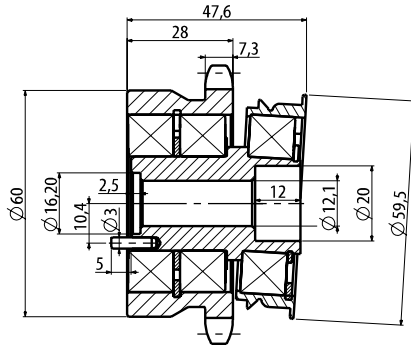


Special chain guide required for proper clearance

**CAM SPROCKETS FOR CHAIN 126TFK (P=1/2") - 12,70 mm**

**PART N° GS 89**

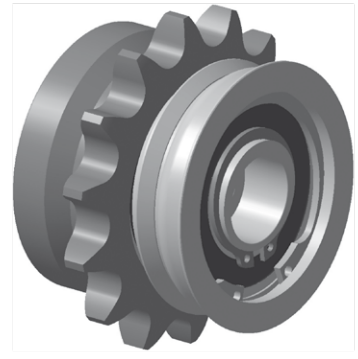
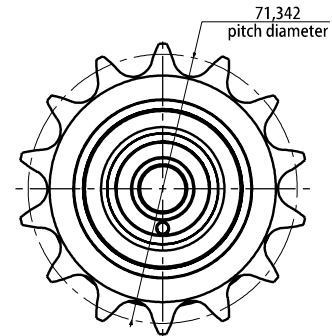
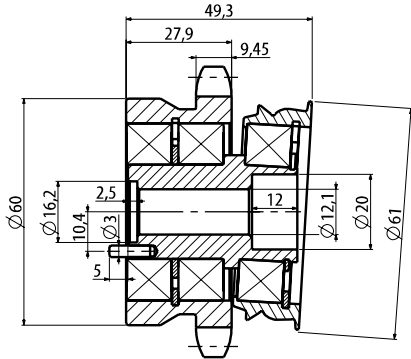
N° OF TEETH (Z) = 17



**CAM SPROCKETS FOR CHAIN 136TFK (P=5/8") - 15,875 mm**

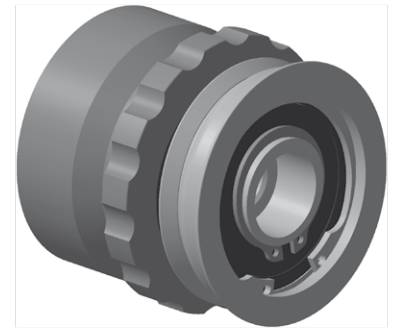
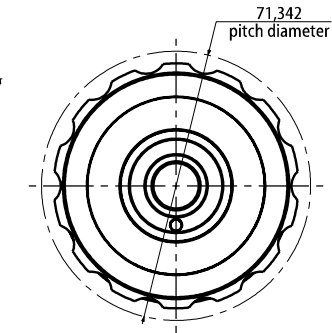
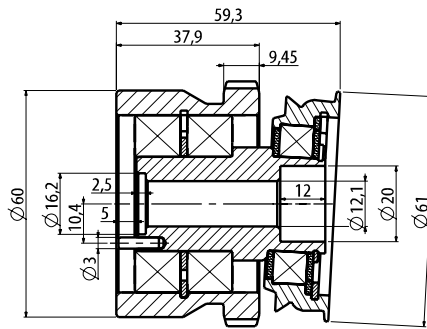
**PART N° GS 88**

N° OF TEETH (Z) = 17



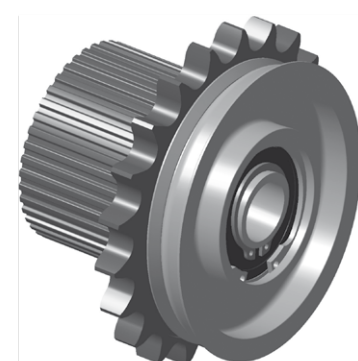
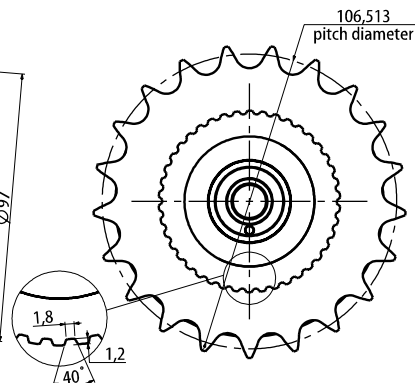
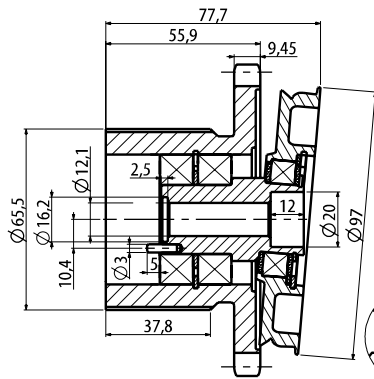
**PART N° GS 106**

HALF TEETH  
N° OF TEETH (Z) = 14



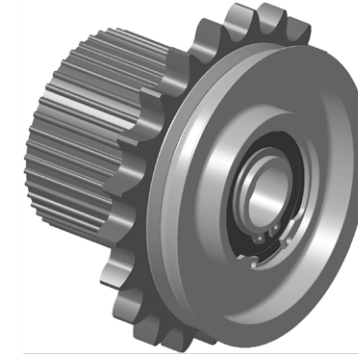
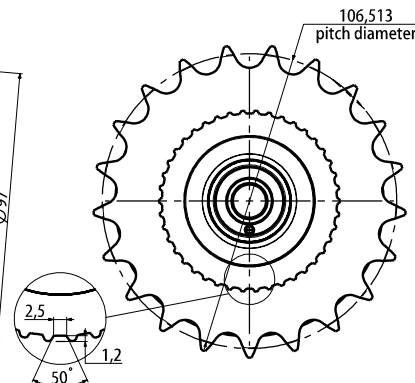
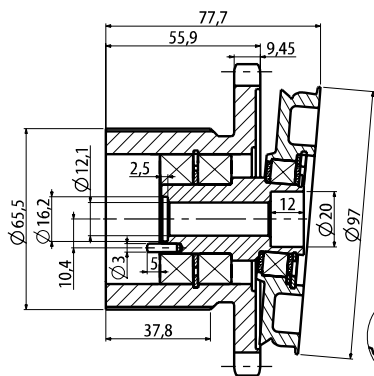
**PART N° GS 107**

N° OF TEETH (Z) = 21  
BELT TYPE T5



**PART N° GS 174**

N° OF TEETH (Z) = 21  
BELT TYPE AT5

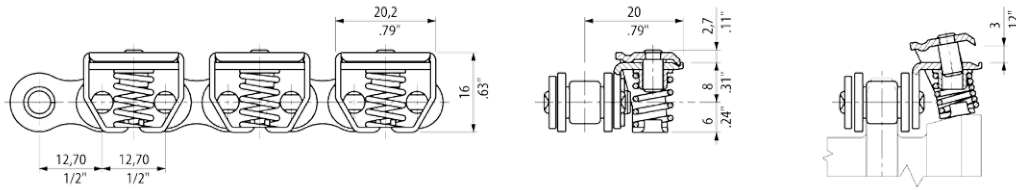


# STANDARD CLAMP "TF Series"

## 126TFNC

ISO 08 B-1 : PITCH 1/2" - 12,70 mm

Standard and hard spring versions. The standard clamp opens vertically with a slight side movement to follow the cam shape.



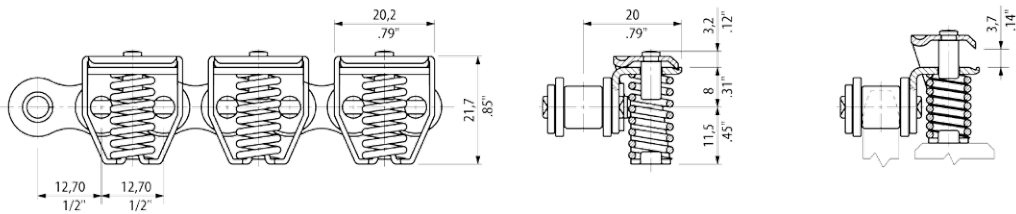
REGINA REF.	BASE CHAIN MATERIAL	CLAMP MATERIAL	SPRING MATERIAL	CHAIN PITCH P		ROLLER DIAMETER Dr		INSIDE WIDTH W		CLAMPING FORCE N
				mm	inches	mm	inches	mm	inches	
126 TFNC	S + NC	SS	SS	12,70	1/2"	8,51	.335	7,75	.305	50
126TFNC/055	S + NC	SS	SS	12,70	1/2"	8,51	.335	7,75	.305	85
SS126 TF	SS	SS	SS	12,70	1/2"	8,51	.335	7,75	.305	50
SS126 TF/019	SS	SS	SS	12,70	1/2"	8,51	.335	7,75	.305	85

# LONG CLAMP "TF LONG Series"

## 126TFNC/04A

ISO 08 B-1 : PITCH 1/2" - 12,70 mm

The long clamp allows wider opening and higher clamping force.



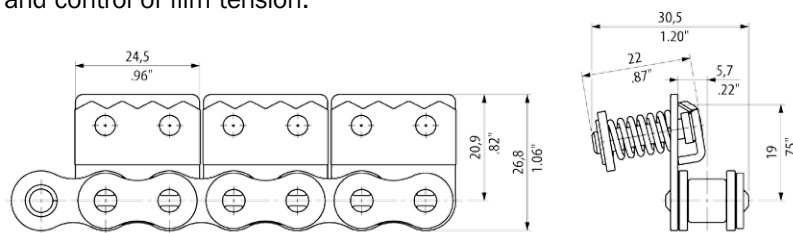
REGINA REF.	BASE CHAIN MATERIAL	CLAMP MATERIAL	SPRING MATERIAL	CHAIN PITCH P		ROLLER DIAMETER Dr		INSIDE WIDTH W		CLAMPING FORCE N
				mm	inches	mm	inches	mm	inches	
126 TFNC/04A	S + NC	SS	S + NC	12,70	1/2"	8,51	.335	7,75	.305	80

# HORIZONTAL CLAMP "TFO Series"

## 126TFO

ISO 08 B-1 : PITCH 1/2" - 12,70 mm

Two springs of 30N each for uniform film clamping and control of film tension.



REGINA REF.	BASE CHAIN MATERIAL	CLAMP MATERIAL	SPRING MATERIAL	CHAIN PITCH P		ROLLER DIAMETER Dr		INSIDE WIDTH W		CLAMPING FORCE N
				mm	inches	mm	inches	mm	inches	
126 TFO	S + NC	SS	SS	12,70	1/2"	8,51	.335	7,75	.305	60
NEW SS126 TFO	SS	SS	SS	12,70	1/2"	8,51	.335	7,75	.305	60



## PERFORMANCE IN MOTION

### ITALY

REGINA CATENE CALIBRATE S.p.A.  
HEAD OFFICE:  
Via Monza, 90  
23870 Cernusco Lombardone (LC) - Italy  
Tel. +39 039 99801  
Fax +39 039 9905229  
sales@reginachain.net

### USA

REGINA USA, INC.  
305 E. Mahn Court  
Oak Creek, WI 53154 - USA  
Tel. 001 414 5710032  
Fax 001 414 5710225  
sales.us@reginachain.net

### FRANCE

REGINA INDUSTRIE s.a.r.l.  
Z.A.C. des Chatelliers  
34 Rue des Frères Lumière  
45800 Saint Jean De Braye - France  
Tel. +33 238 836363  
Fax +33 238 836413  
sales.fr@reginachain.net

### MEXICO

REGINA de MEXICO S.A. de C.V.  
Av. Aviación 5051-28  
Col. San Juan de Ocotan  
45019 Zapopan, Jalisco - Mexico  
Tel. +52 33 3627 4043  
Fax +52 33 3627 3930  
sales.mx@reginachain.net

### CHINA

REGINA TIANJIN CHAIN & BELT CO., LTD.  
Xi Qing Economic Development Area,  
Xiang Rui Road n. 17  
Tian Xiang Industrial Zone  
300385 Tian Jin - China  
Tel. +86 22 83961223  
Fax +86 22 83961202  
sales.cn@reginachain.net

### UNITED KINGDOM

REGINA INTERNATIONAL LIMITED  
Unit 1, Dyneley Road,  
Greenbank Business Park  
Whitebirk, Blackburn,  
Lancs BB1 3AB - United Kingdom  
Tel. +44 1254 661116  
Fax +44 1254 59456  
sales.uk@reginachain.net

### ARGENTINA

REGINA INTERNATIONAL S.A.  
Diagonal 190,  
1788-1655 José Leon Suarez  
Prov. Buenos Aires - Argentina  
Tel. +54 11 47296667  
Fax +54 11 47203210  
sales.ar@reginachain.net

### GERMANY

REGINA  
Tel. +49 2662939196  
Fax +49 2662939198  
sales.de@reginachain.net

### SPAIN

CADENAS REGINA ESPAÑA, S.L.  
Calle Industria, 37  
08120 La Llagosta - Barcelona - España  
Tel. +34 93 5742838  
Fax +34 93 5740735  
sales.es@reginachain.net

### THE NETHERLANDS

REGINA  
Tel. +31 610681114  
sales.nl@reginachain.net